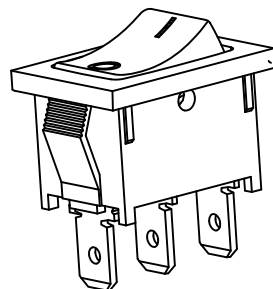
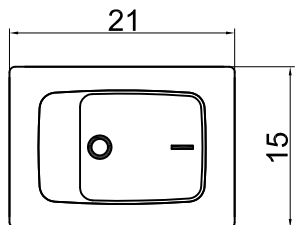




MR-1



Rating: 10A 125V AC (UL CUL) c us
6A 250V AC (CQC ENEC VDE)

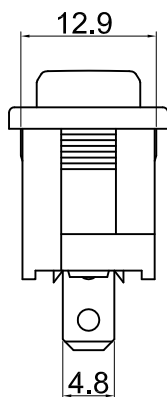
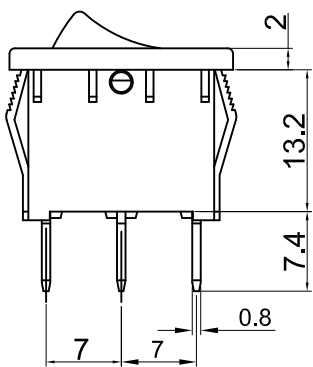
Contact Resistance: 50mΩ Max

Insulation Resistance: DC 500V 100MΩ Min

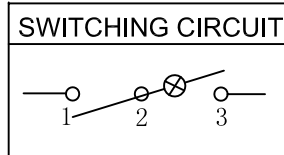
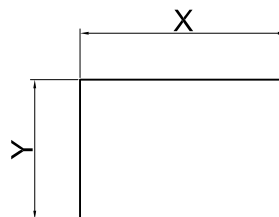
Dielectric Strength: AC1500V 1 minute

Electrical life: 10,000 cycles

Operating Temperature: 0°C~85°C



CUT-OUT



	X	Y
0.75~1.25	19.2-0.1	13.0+0.1
1.25~2.00	19.4-0.1	13.0+0.1
2.00~3.00	19.8-0.1	13.0+0.1

MATERIAL:

Body:Nylon66,UL rated:94V-2 min

Actuator:PC

Terminal:Brass,silver or tin plated

0	1	2	3	4	5	7	8	9	A	B	C	D	E	G	H	J	L
None		ON OFF				ON/开 OFF/关											

				公差 TOLERANCES		.X± 0.3		.XX± 0.15		角度 ANGLE		± 1°		单位 DIMENSION UNIT mm.			
				版本 VERSION	A1	比例尺 SCALE	NONE	日期 DATE	2020.07.17	品名 TITLE		图号 DRAWING NO					
				核准		核对	Z.H.B.	绘图		MR-1-118-C5L-BR		MR-1-118-C5L-BR-220_A1					
版本 VER.	变更说明 CHANGE DESCRIPTION			日期 DATE	ECN NO.	APPROVED BY	CHECKED BY	DRAWN BY									