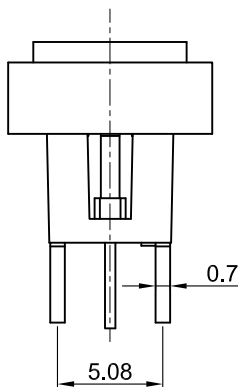
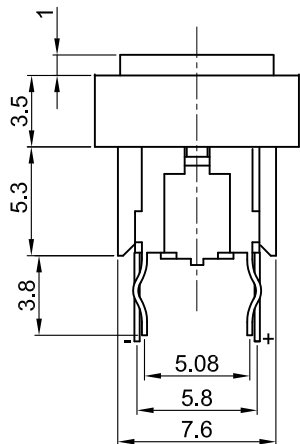
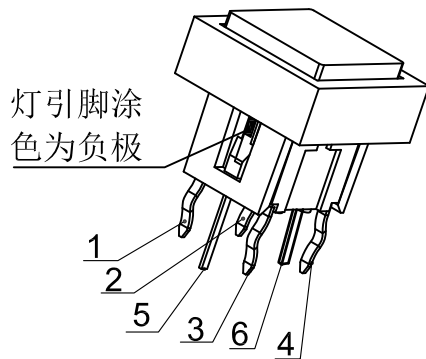
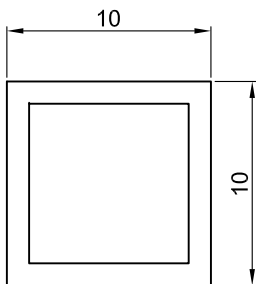




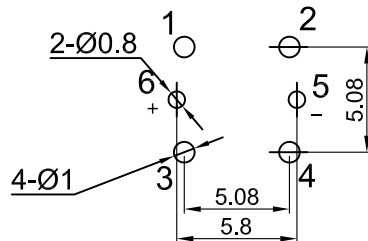
TS1



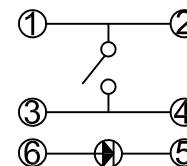
Specifications

- Circuit :SPST
- Current rating :50mA
- Voltage rating :12VDC
- Dielectric withstanding voltage:250VAC for 1 minute
- Contact resistance :100m Ω Max. (Initial)
- Insulation resistance :100M Ω Min.
- Operating force :200±50gf
- :300±50gf
- Total travel :0.25mm±0.1mm
- Operating life :100,000 cycles Min
- Solder specifications :260±5° C for 5 seconds
- Function :Momentary
- Operating temperature :+10° C ~ +60° C

P.C.B. LAYOUT



CIRCUIT



MATERIAL:

- Base Frame: Nylon46, UL rated:94 V-2 Min. ;
- Outer Frame: Nylon66, UL rated:94 V-2 Min. ;
- Actuator: Nylon66, UL rated:94 V-2 Min. ;
- Cap: ABS ;
- Terminal: Brass, Silver or Tin plated .

			公差 TOLEANCES		.X± 0.3	.XX± 0.15	角度	± 1°	单位 DIMENSION UNIT	mm.
			版本 VERSION	A1	比例尺 SCALE	NONE	日期 DATE	2020.07.31	品名 TITLE	图号 DRAWING NO
			核准 APPROVED BY		核对 CHECKED BY	Z. H. B.	绘图 DRAWN BY	王立权	TS1-1A-1AN	TS1-1A-1AN_A1
版本 VER.	变更说明 CHANGE DESCRIPTION	日期 DATE	ECN NO.							