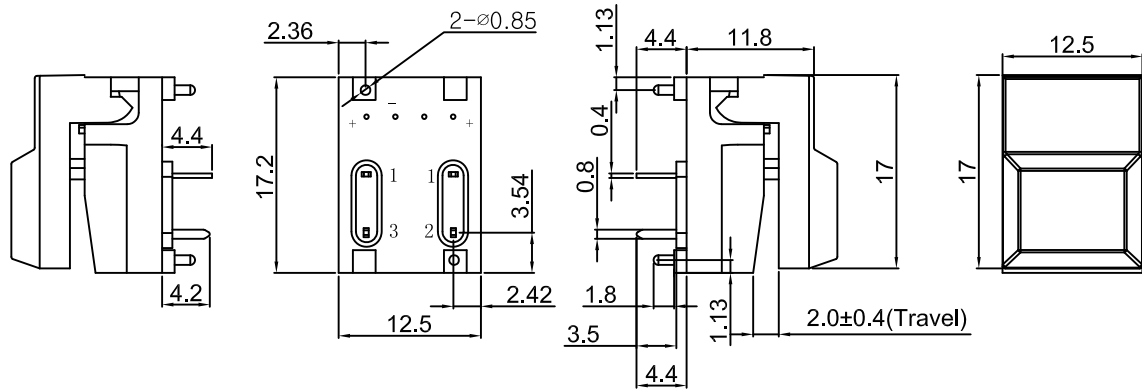


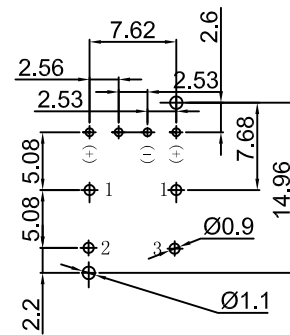
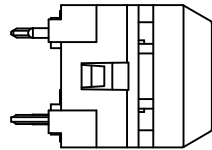
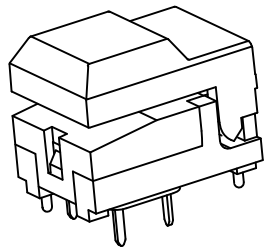


PB86

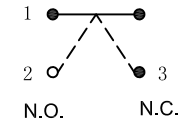


Specifications

Circuit	:SPDT
Current rating	:12mA
Voltage rating	:24VDC
Dielectric withstanding voltage	:250VAC for 1 minute
Contact resistance	:100mΩ Max. (Initial)
Insulation resistance	:100MΩ Min.
Operating force	:150±50gf
Travel	:2.0mm±0.4mm
Operating life	:50,000 cycles Min.
Solder specifications	:260° C for 5 seconds
Function	:Momentary
Operating temperature	:+10° C ~ +60° C



P.C.B . Layout



Circuit Diagram

MATERIAL

Base:Nylon66, UL rated: 94V-2 Min.;
 Cap: ABS;
 Terminal: Phosphor bronze, Golden plated.

Y	Yellow	黄色
W	White	白色
U	Blue	蓝色
R	Red	红色
O	Orange	橙色
G	Green	绿色
B	Black	黑色
A	Gray	灰色
CAP COLOR (X)		

				公差 TOLEANCES		.X± 0.3 .XX± 0.15 角度 ANGLE ± 1°				单位 DIMENSION UNIT mm.	
				版本	A3	比例尺	NONE	日期	2020.03.13	品名 TITLE	图号
A3	图纸重新整理发行	2020.03.13	N/A	VERSION		SCALE	DATE	PB86-A0-U-Y-NN	DRAWING NO		
A0	New Issue	2008.07.08	N/A	核准	核对	Z. H. B.	绘图	HXG	PB86-A0-U-Y-NN_A3		
版本 VER.	变更说明 CHANGE DESCRIPTION	日期 DATE	ECN NO.	APPROVED BY	CHECKED BY	DRAWN BY					