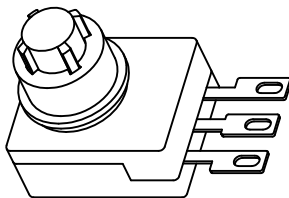
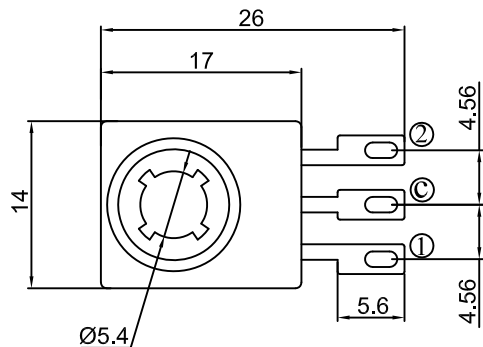




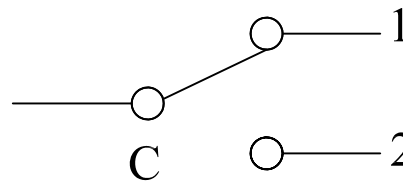
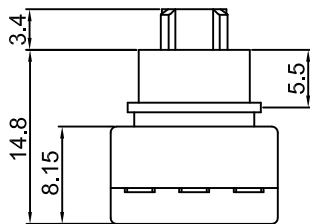
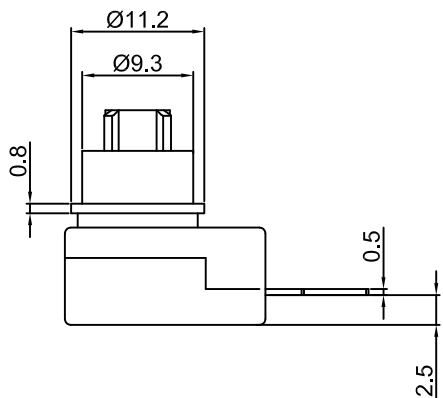
# PB-03



### SPECIFICATIONS:

- Rating: 7A 14 VDC (UL CUL);
- Contact Resistance: 50m Ω Max. ;
- Insulation Resistance: 500VDC 100M Ω Min. ;
- Withstand Voltage: 1000VAC 1 minute ;
- Operating Force: 800g±150g ;
- Travel: 2.6±0.4mm ;
- Life Cycle: 10,000 cycles

### FUNCTION: ON(C-1) - ON(C-2)



Circuit Diagram

### MATERIAL:

- Base: Nylon66 , UL rated:94V-2 Min. ;
- Cap: Nylon66 UL rated: 94V-2 Min. ;
- Terminal: Brass,Silver or Tin plated .

				公差 TOLERANCES		.X± 0.3	.XX± 0.15	角度 ± 1°		单位 DIMENSION UNIT mm.	
				版本 VERSION	A2	比例尺 SCALE	NONE	日期 DATE	2020.08.30	品名 TITLE	图号 DRAWING NO
				核准		核对	Z. H. B.	绘图	HXG	PB-03-31-2-AA	PB-03-31-2-AA_A2
版本 VER.	变更说明 CHANGE DESCRIPTION	日期 DATE	ECN NO.	APPROVED BY		CHECKED BY		DRAWN BY			