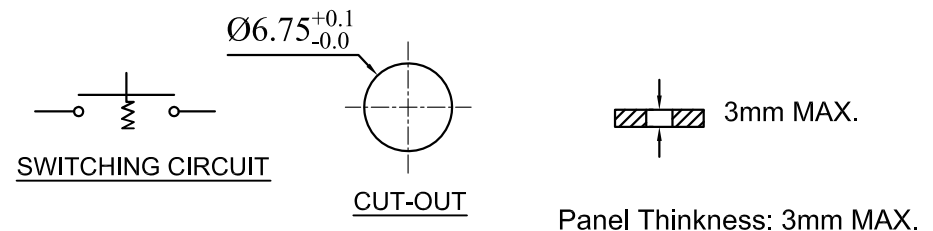
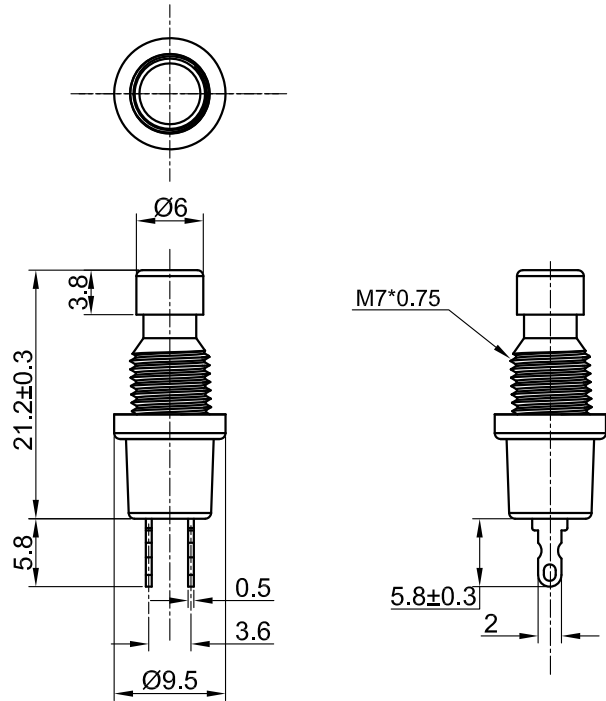




PB-05

Rating: 3A 125V AC
 Contact Resistance: 50mΩ Max
 Insulation Resistance:DC 500V 100MΩ Min
 Dielectric Strength:AC 1000V 1 minute
 Total travel:2.2±0.3mm
 Operating Force:200±50gf
 Operating Life:10,000 cycles
 Operating Temperature:0°C~85°C
 Function: OFF-ON



MATERIAL

Base:metal ,Nickel plated ;
 Cover:ABS ;
 Terminal: Brass,gilded plated or Silver plated;
 Nut: Brass,Nickel plated .

Y	Yellow 黄色
W	White 白色
U	Blue 蓝色
R	Red 红色
G	Green 绿色
B	Black 黑色
A	Gray 灰色
CAP COLOR (X)	

				公差 TOLERANCES	.X± 0.3	.XX± 0.15	角度 ANGLE ± 1°	单位 DIMENSION UNIT mm.
				版本 VERSION	A1	比例尺 SCALE	NONE	品名 TITLE
				核准		核对	Z.H.B.	图号 DRAWING NO
版本 VER.	变更说明 CHANGE DESCRIPTION	日期 DATE	ECN NO.	APPROVED BY	CHECKED BY	DRAWN BY		PB05-A-R
								PB05-A-R_A1