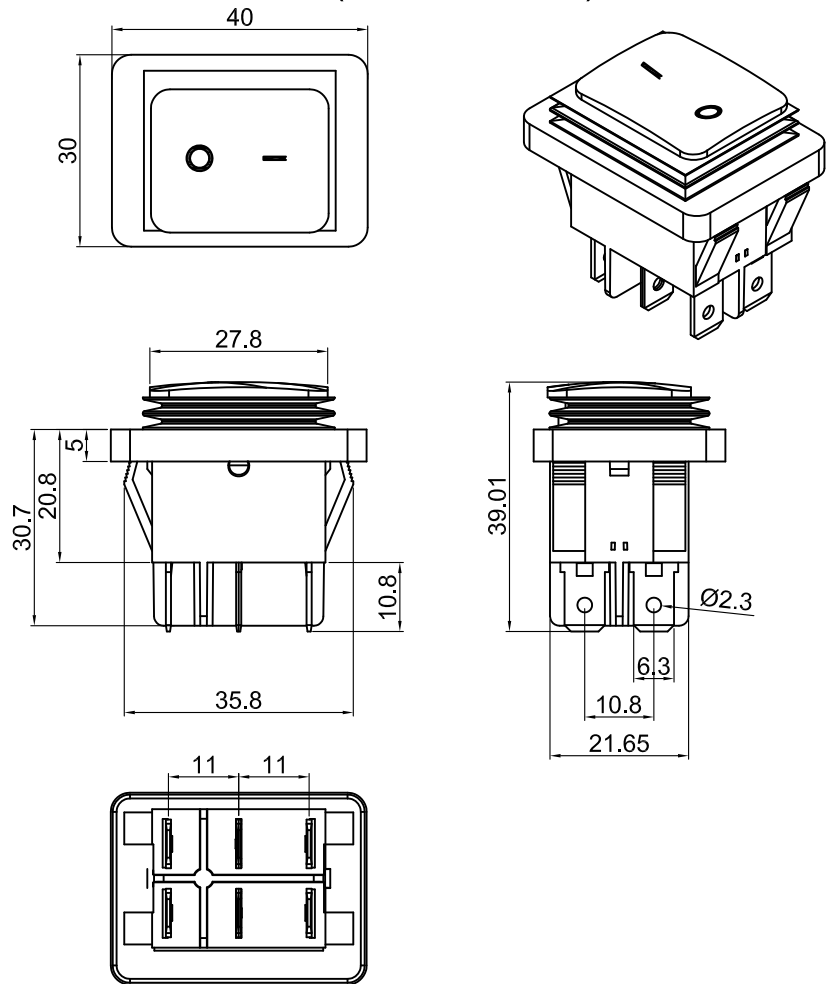


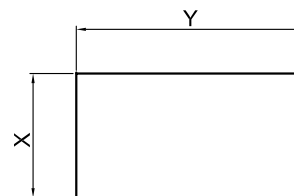


R

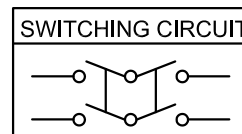


Rating: 16A 125V AC (UL CUL )  
 16A 250V AC (UL CUL VDE ENEC CB CQC)  
 Contact Resistance: 50m Ω (Max)  
 Insulation Resistance: DC 500V 100M Ω (Min)  
 Dielectric Strength: AC1500V 1 minute  
 Electrical life: 10,000 cycles  
 Operating Temperature: 0°C~85°C  
 Safety Approval:

CUT-OUT



	X	Y
0.75~1.25	30.0+0.1	122.0+0.1
1.25~2.00	30.2+0.1	122.0+0.1
2.00~3.00	30.4+0.1	122.0+0.1



ON-OFF-ON

MATERIAL:

Body:Nylon66,UL rated:94V-2 min  
 Actuator:Nylon66,UL rated:94V-2 min  
 Terminal:Brass,silver or tin plated

Marking	x	0	1	2	3	4	5	7	8	9	B	C	E	F	G
	柄	None													

公差 TOLERANCES		.X± 0.3 .XX± 0.15		角度 ± 1°		单位 DIMENSION UNIT mm.	
版本 VERSION	A0	比例尺 SCALE	NONE	日期 DATE	2021.07.15	品名 TITLE	图号 DRAWING NO
核准 APPROVED BY		核对 CHECKED BY	Z. H. B.	绘图 DRAWN BY	HXG	R-210-K5N-BB (防水)	R-210-K5N-BB_A0
版本 VER.	变更说明 CHANGE DESCRIPTION	日期 DATE	ECN NO				